

Engineering, Inc.

10001 East 52nd Street, Tulsa, OK 74146 USA

Magna-Sygg
Model 201-20K
Operations and Maintenance Manual

Note: The terms, availability, specifications, and all warranties, either expressed or implied, which are contained in this document are subject to change without notice.

Revision 2014

Table of Contents

Operating Instructions	1
Mounting Diagram – Drawing number 001-0901-00	2
Outline Dimensions – Drawing number 201HOUSING	3
Wiring Diagram	4
Warranty Statement	5

Note: The terms, availability, specifications, and all warranties, either expressed or implied, which are contained in this document are subject to change without notice.

Revision 2014

Magna-Sygg Detector

Explosion Proof Model 201-20K

Operating Instructions

The Magna-Sygg 201-20K detector has a local signal device (light) and also makes, or breaks, an internal set of normally open (NO) and normally closed (NC) set of contacts that actuate when the unit detects a proper magnetic field. The contacts reset after a period of 7 seconds. The local signal light must be manually reset.

- 1) Mount unit to pipe per Mounting Instructions and included diagram.
- 2) Wire 24VDC and control wiring via the conduit connection per included wiring diagram.
- 3) Power the unit with 24VDC. The detector may actuate due to the initial surge of current. ***This is normal. Manually reset the signal light. The contacts will automatically reset after a period of 7 seconds.***
- 4) Test the unit by waving a small magnet past the base mounted on the pipe.
- 5) The signal light will go on, and remain on, until manually reset by pressing down on the signal light housing. The contacts will remain actuated for the 7 second dwell time.
- 6) The signal light can be tested by pressing down on the signal light housing. If the signal lamp fails to light, unscrew the light housing and insure the bulb is properly seated. If the light still fails to illuminate, replace the bulb with S.U.N. Engineering part number 201-24MB.

Mounting

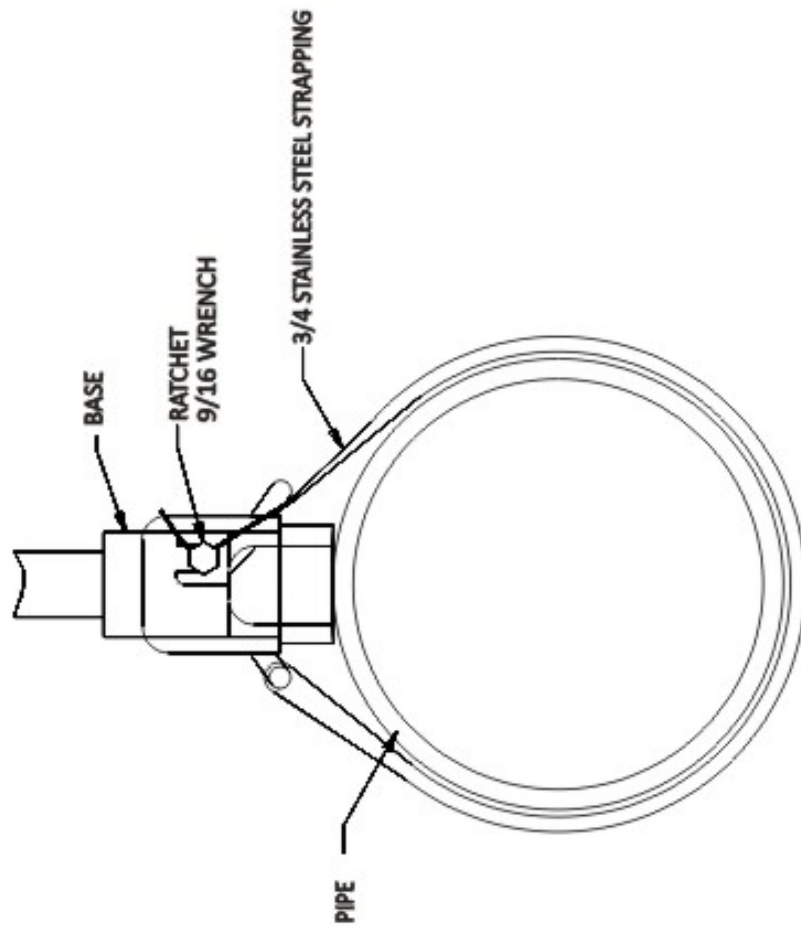
See included drawing number 001-0901-00

To mount the detector's base to a pipe, use 1/2" carbon or stainless steel banding. Measure a length twice as long as needed to wrap around the pipe, plus an additional 12". Double the banding in half and insert on end through the stirrup opposite the ratchet on the detector's base. Place the base on the pipeline parallel with the pipe, then wrap both ends of the banding around the pipe and through the stirrup on the ratchet side of the base. Slip both ends of the banding through the slot of the ratchet pin and take up any slack in the banding.

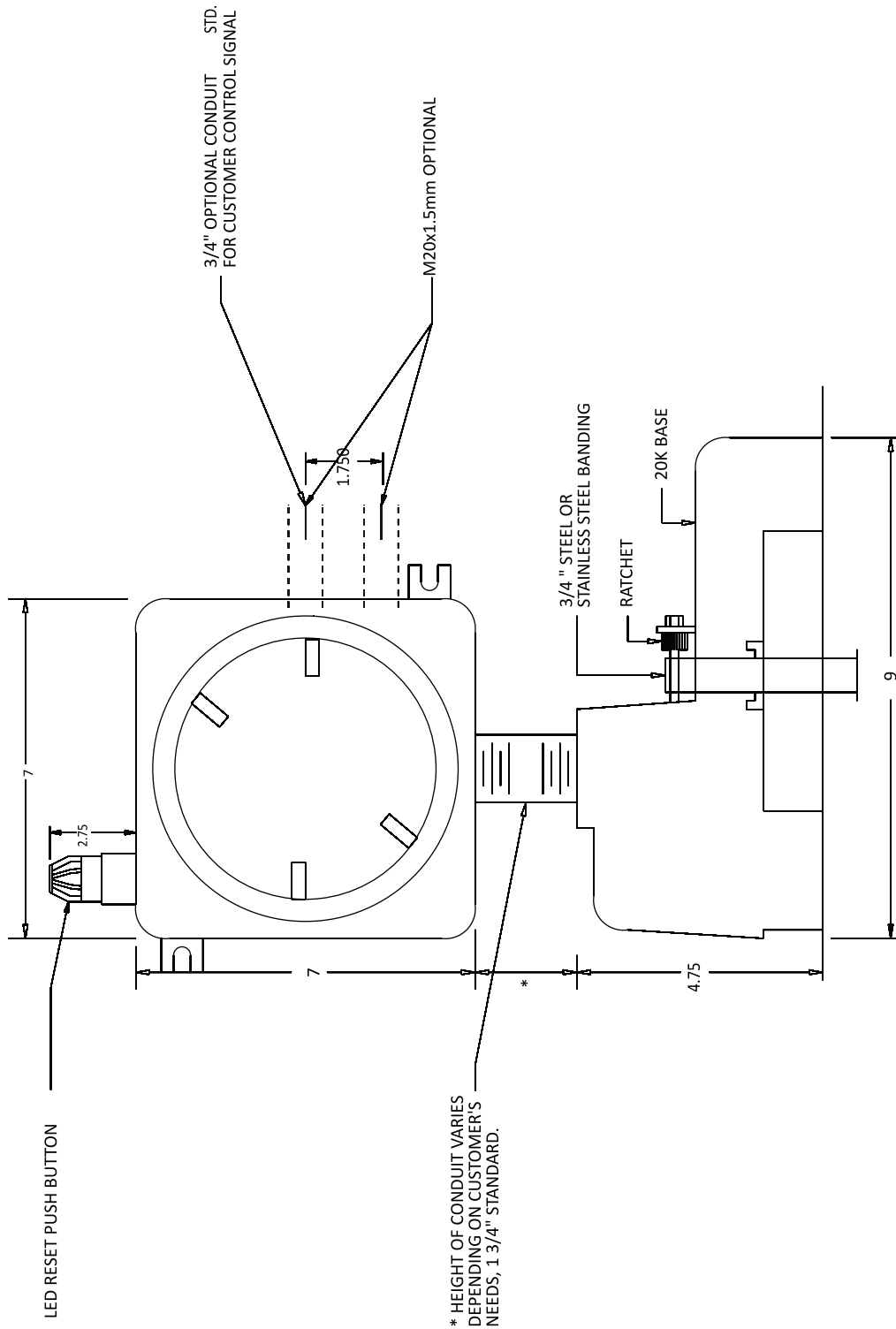
Use a ratchet socket or 9/16" wrench to turn the ratchet clockwise until the detector's base is held firmly to the pipe. The base must be tight enough to insure that it cannot move. Excess banding can be cut off. To remove the detector, the banding will have to be cut off. The detector's base should not be placed on a soft insulator, as the insulation is likely to be compressed when the banding is tightened. *Pipe coating, such as tape coating, coal tar, and concrete (up to 3") does not have to be removed.*

Note: The terms, availability, specifications, and all warranties, either expressed or implied, which are contained in this document are subject to change without notice.

Revision 2014

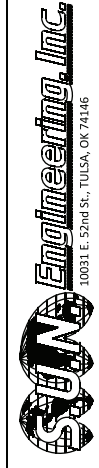


Note: The terms, availability, specifications, and all warranties, either expressed or implied, which are contained in this document are subject to change without notice.
Revision 2014



MODEL 201
EXPLOSION PROOF
PERMANENT INSTALLATION

DRAWN _____
DATE _____
CHECKED _____
DATE _____
APPROV. _____
DATE _____
PART NO. _____
MODEL 201

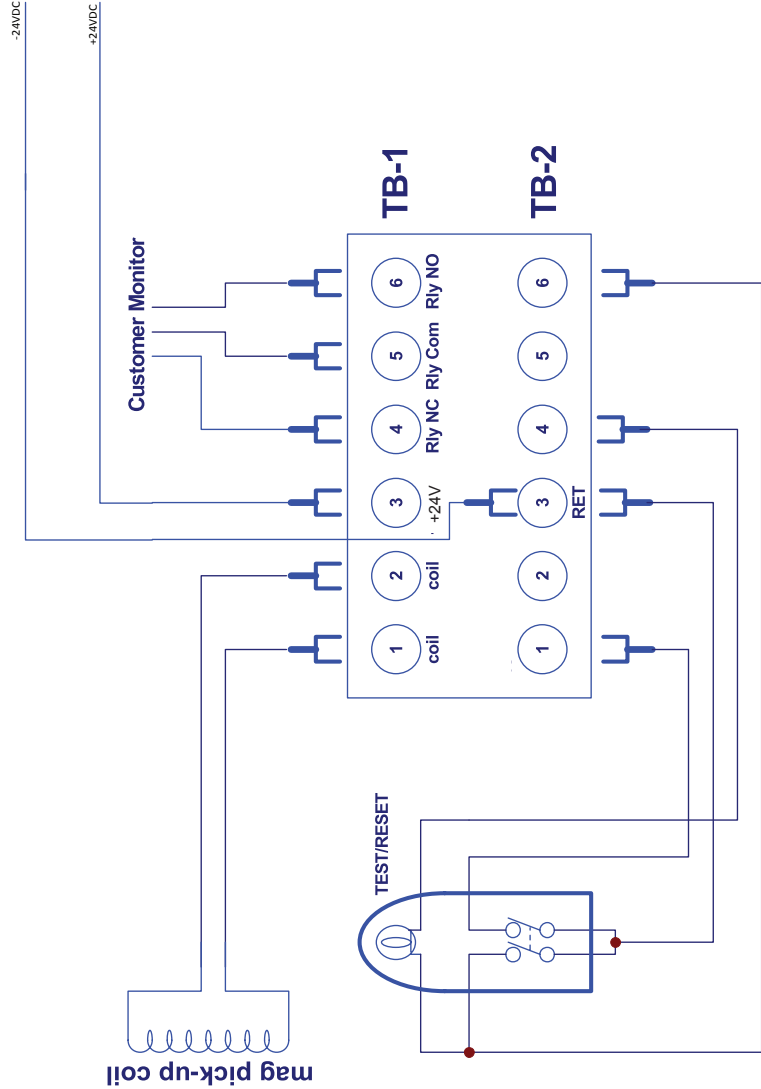


MAGNA-SYGG MODEL 201

JOB NO.	IN HOUSE	DRAWING NO.	REV.
SCALE	NONE	201 HOUSING	

REV.	CHANGE	BY	DATE
------	--------	----	------

NOTICE: All information disclosed within this document is considered proprietary and confidential.



Wiring Diagram Model 201-20K

Title	
Size	
Date	
File	

Magna-Sygg Warranty

- All S.U.N. Engineering, Inc. products are produced using the highest quality materials available, and are guaranteed to be free from defects in workmanship and materials.
- All Magna-Sygg products are warranted for eighteen (18) months from the date of sale, or twelve (12) months after date of startup service, whichever is lesser.
- Do not return any products without S.U.N. Engineering, Inc. approval and Return Authorization Number. S.U.N. Engineering, Inc. will not honor any claim for warranty on any product that has been altered in any way by anyone other than S.U.N. Engineering, Inc.
- Returned merchandise will not be accepted for credit without permission from S.U.N. Engineering, Inc. Sales and Marketing, and accompanied by a Return Authorization Number.
- Returns of other than damaged material must be RECEIVED in resalable condition. Full credit less 25% restocking fee will be given. A copy of the original invoice and S.U.N. Engineering, Inc. Return Authorization Number must accompany all returned shipments.
- Shipping costs of the returned items will be at the expense of the customer.

Note: The terms, availability, specifications, and all warranties, either expressed or implied, which are contained in this document are subject to change without notice.

Revision 2014