

Tuffcast

4" - 24"



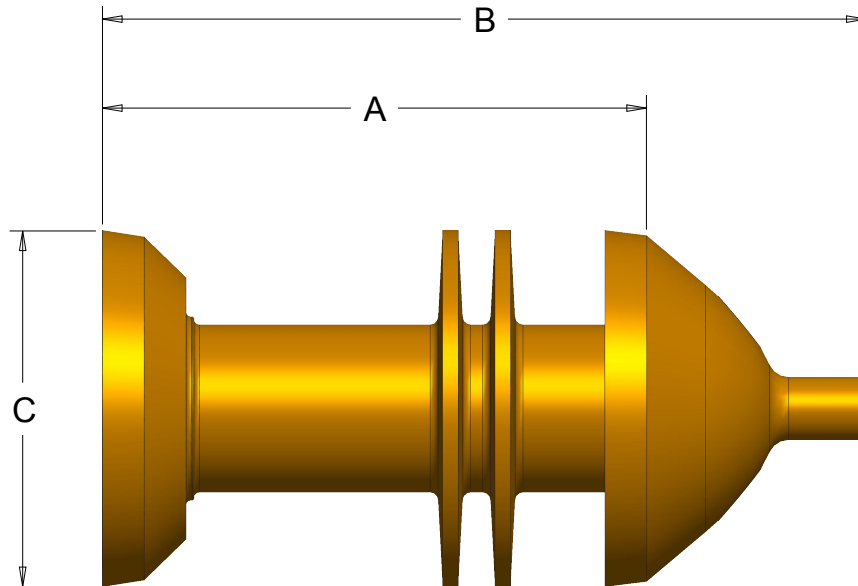
Description

The Tuffcast Pig combines a conical sealing cup with a scraping disc providing both actions in one pig. The solid cast construction makes for a lightweight and economical general purpose cleaning pig. It is made from the same durable MDI urethane as our line of Super Pigs. This allows for high abrasion resistance with flexibility to maintain a positive seal in out of round sections of pipe. The sealing surface of the cup and high abrasion resistance of MDI urethane allows the Tuffcast to be run over long distances without the fear of pig failure due to wear and tear. The Tuffcast Pig may be manufactured from several different durometer hardnesses to fit each individual situation. These could include; batching, paraffin removal, or removing liquids from gas systems. When heavy cleaning is needed the Tuffcast Pig is a great option. This Pig allows the mounting of carbon steel,

stainless steel or Prostran style brushes. Tuffcast pigs are designed with hollow core bodies to allow for the mounting of magnets or pig tracking devices. The Tuffcast pig is a great option for many jobs and is more than capable of getting the most out of your pig run.

Options

- Sizes 4" to 24"
- 2 conical cups and 2 scraper discs
- Brush/Magnet wraps or combination of both
- Transmitter/Magnet compatible
- Several Durometer Hardnesses



Tuffcast Pig

Size Inches	A Inches	B Inches	C Inches	Weight lbs.
4"	7.25"	9.5"	4.37"	2.07
6"	10.50"	14"	6.37"	4.68
8"	13"	18"	8.50"	10.02
10"	18"	23"	10.50"	16.78
12"	20.50"	27"	12.50"	25.38
14"	23.50"	30"	14"	38.5
16"	26"	32"	16.25"	55.5
20"	33"	42"	20.25"	104
24"	38"	49"	24"	175